

## 1. GENERALS

- This specification covers the engineering requirements for the CMF1210-900ST (Common Mode Filter)

## 2. FEATURES

- Effective for suppressing common mode noise and almost no effect for high speed differential data line
- Ultra low profile (1.25 x 1.00 x 0.60mm)
- Ceramic multilayer type SMD component
- Non-polarized product
- It is a product conforming to RoHS directive.

## 3. APPLICATIONS

- LVDS lines in notebook computers
- USB2.0, IEEE1394, DVI, HDMI lines in PDP, LCD TV, DVD Player, PC, Audio player, DSC
- MDDI, MIPI in mobile phone

## 4. PRODUCT SPECIFICATIONS

### 4. 1 PART NUMBER CODE

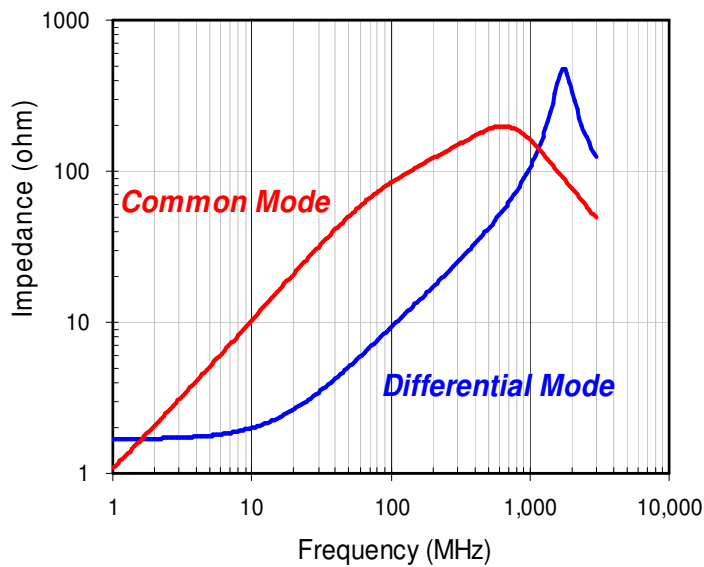
CMF   1210   -   900   S   T  
①            ②                                    ③            ④            ⑤

- ① Series name of Hekofly's Common Mode Filter
- ② Dimensions, 1.25mm (L) x 1.0mm (W)
- ③ Common Mode Impedance ( at 100MHz ), 900= 90Ω
- ④ Tolerance of common mode impedance, S= ±25%
- ⑤ Packing Type, T= Tape and reel

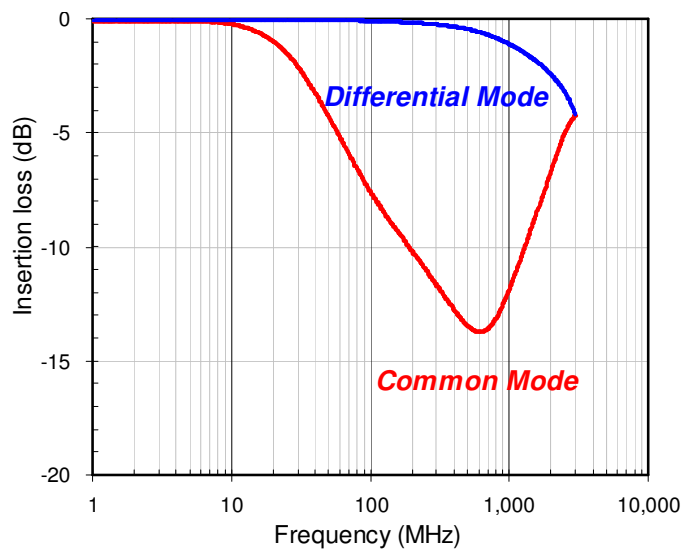
## 4. 2 SPECIFICATION OF ELECTRICAL CHARACTERISTICS

Part No.	Imp. Com. ( $\Omega$ ) $\pm$ 25% @100MHz	DCR Max. ( $\Omega$ )	Rated Curren Max.(mA)	Rated Voltage (V)	Withstand Voltage (V)	Insulation Resistance Min.(M $\Omega$ )
CMF1210-900ST	90	0.60	300	10	25	200
Test Instruments	<ul style="list-style-type: none"> <li>• Agilent E4991A RF IMPEDANCE / MATERIAL ANALYZER</li> <li>• HP4338 MILLIOHMMETER</li> <li>• Agilent E5071C ENA SERIES NETWORK ANALYZER</li> <li>• Keithley 2410 1100V SOURCE METER</li> </ul>					

IMPEDANCE vs. FREQUENCY CHARACTERISTICS



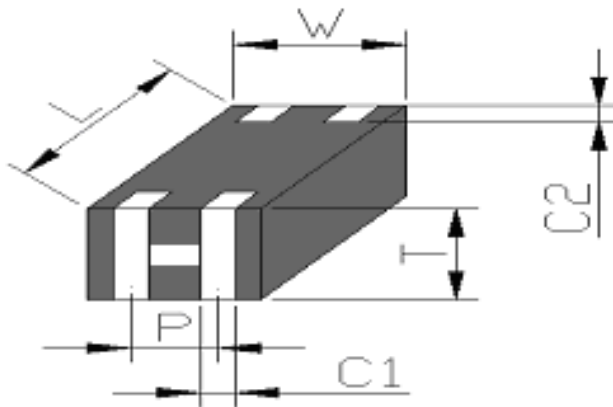
INSERTION LOSS vs. FREQUENCY CHARACTERISTICS



## 4. 3 OPERATING TEMPERATURE

DESCRIPTION	REQUIREMENTS
Operating Temperature	-40°C ~ + 85°C

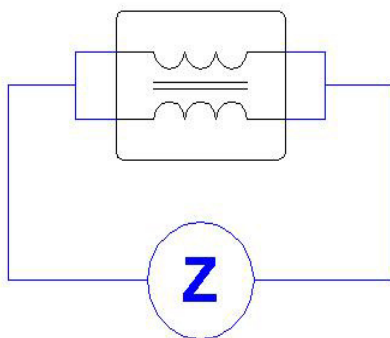
## 5. SHAPES AND DIMENSIONS



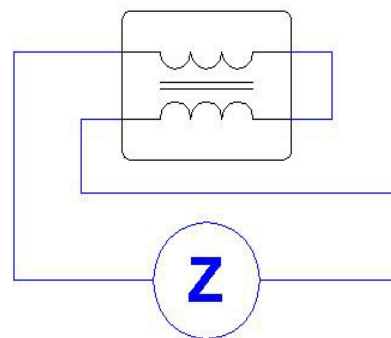
TYPE	1210
L	1.25±0.10
W	1.00±0.10
T	0.60±0.10
P	0.50±0.10
C1	0.30±0.10
C2	0.20±0.15
Unit: mm	

## 6. MEASURING CIRCUITS

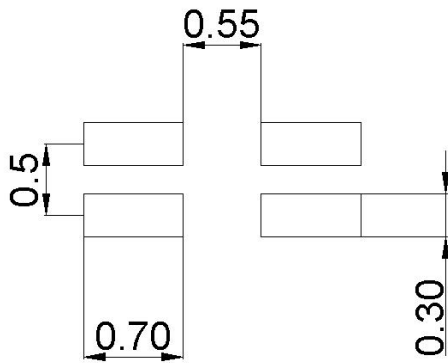
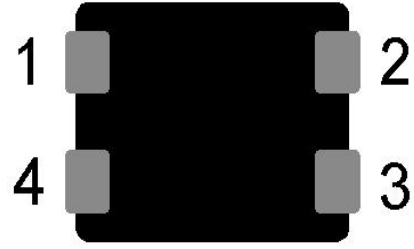
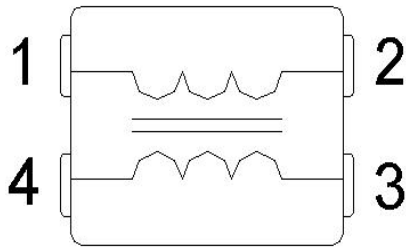
(A):Common mode



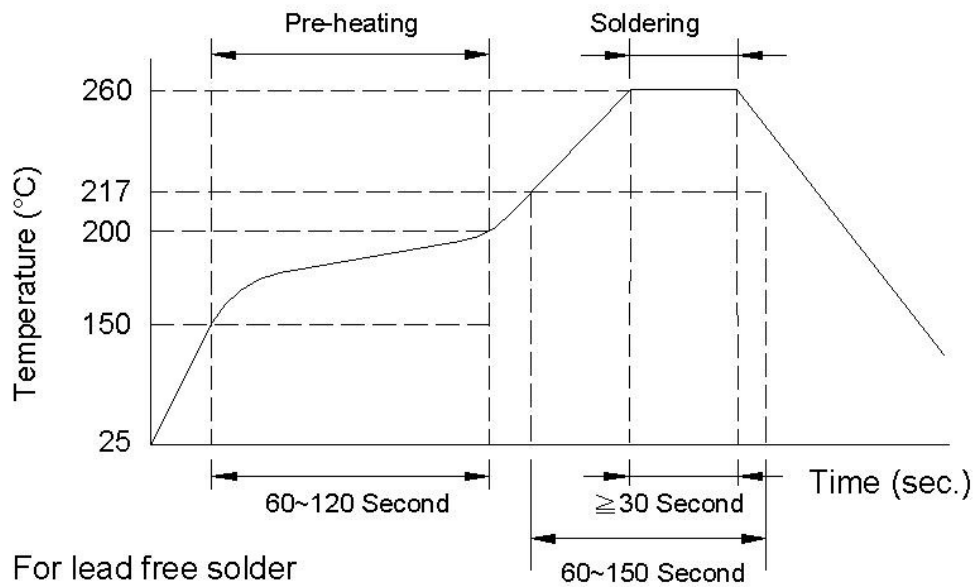
(B):Differential mode



## 7. CIRCUIT CONFIGURATION & LAYOUT PAD

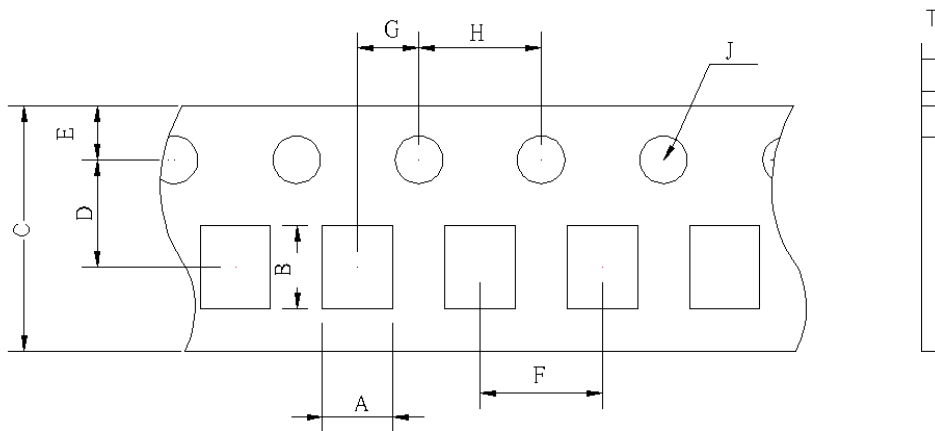


## 8. RECOMMENDED SOLDERING CONDITIONS



## 9. PACKING SPECIFICATION

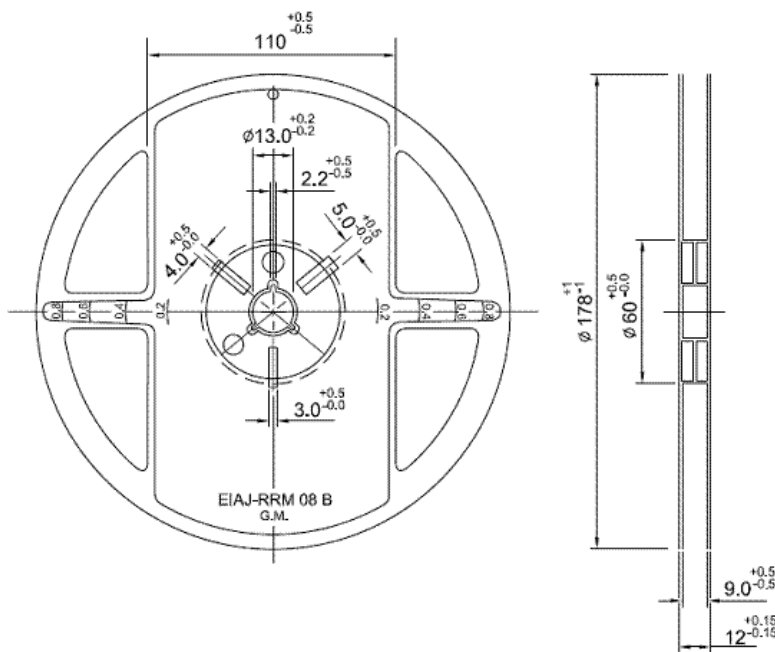
### 9.1 TAPE AND REEL SPECIFICATIONS



Unit : mm

Symbol	Size	Symbol	Size
C	8.00±0.10	H	4.00±0.10
D	3.50±0.05	J	Φ1.55±0.05
E	1.75±0.05	T	0.75±0.03
F	4.00±0.10	A	1.20±0.05
G	2.00±0.05	B	1.45±0.05

### 9.2 REEL DIMENSIONS



Packaging style : Taping  
 Reel packaging quantity : 4000 pcs/reel  
 Inner box : 5 reel/inner box